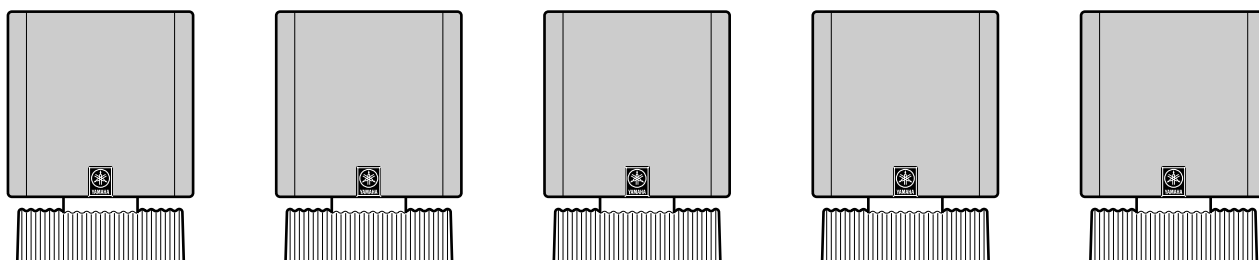
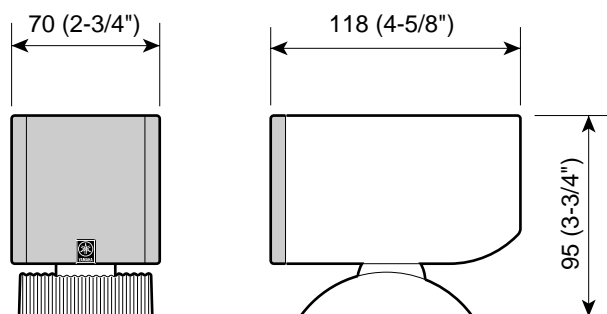


SPEAKER SYSTEM NS-U40P

SERVICE MANUAL



■ DIMENSIONS



Unit : mm (inch)

■ SPECIFICATIONS

Type Acoustic Suspension magnetic shielding
Speaker Unit 5 cm (2") cone
Frequency Response 120 Hz – 25 kHz
Impedance 4 ohms
Nominal Input Power 15 W
Maximum Input Power 50 W

Sensitivity 82 dB/2.0 V/m
Dimensions (W x H x D) 70 x 95 x 118 mm
 (2-3/4" x 3-3/4" x 4-5/8")
Weight 0.3 kg (11 oz.) /1 piece (stand included)
Finish White color
Accessories Speaker cord (3 m x 3) / (7 m x 2),
 Fastener x 1, Cable holder x 1, Non skid pad x 20,

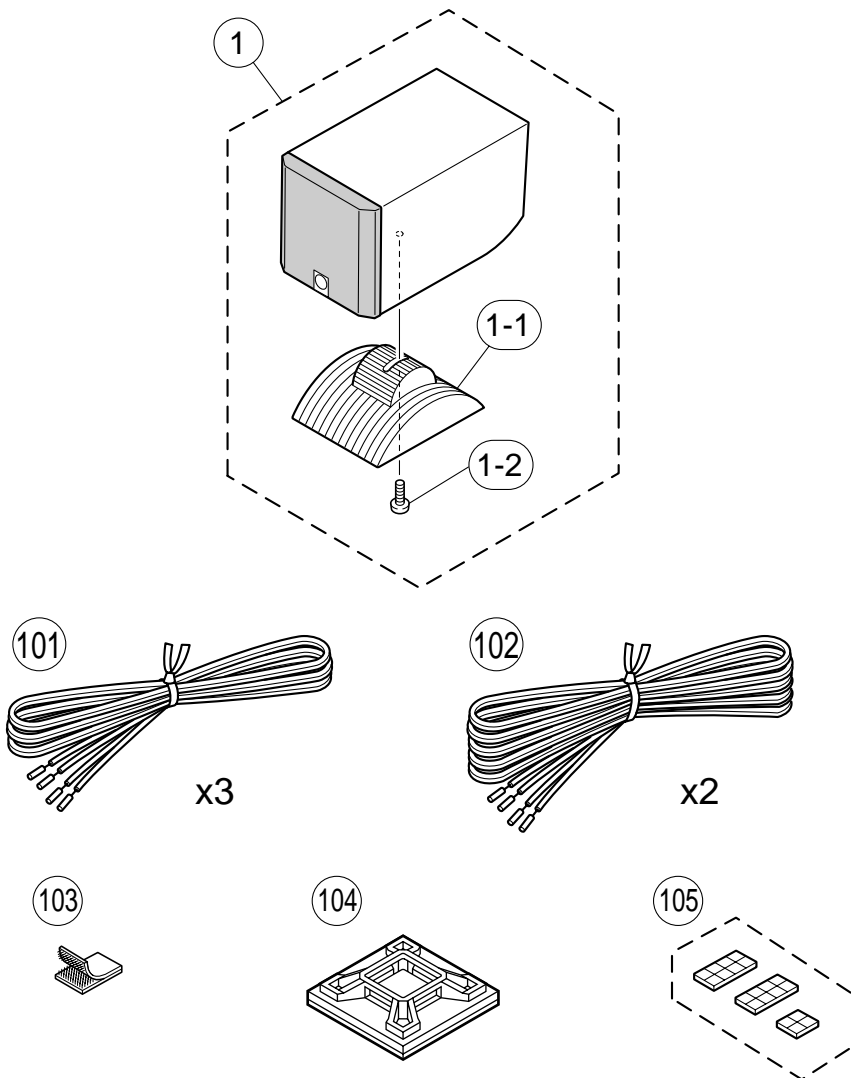
* Specifications are subject to change without notice due to product improvements.



このサービスマニュアルは、エコマーク認定の再生紙を使用しています。
 This Service Manual uses recycled paper.



EXPLODED VIEW



PARTS LIST

Ref. No.	PART NO.	Description	Remarks	Markets	
*	1	AAX23720	SATELLITE SPEAKER SYSTEM	WH 1pc	333706
*	1-1	AAX20100	SPEAKER STAND	WH 1pc	333144
	1-2	EG340360	BIND HEAD SCREW	4.0x8 MFZN2BL	
			ACCESSORIES		
*	101	AAX23730	SPEAKER CORD ASS'Y	BL/BL 3m 3pcs/set	333730
*	102	AAX23740	SPEAKER CORD ASS'Y	BL/BL 7m 2pcs/set	333731
	103	AAX21240	FASTENER	1 pair	335212
*	104	AAX24410	WIRE HOLDER	1pc	335960
*	105	AAX23710	NON SKID PAD	7x7 20pcs/set	333735

* New Parts